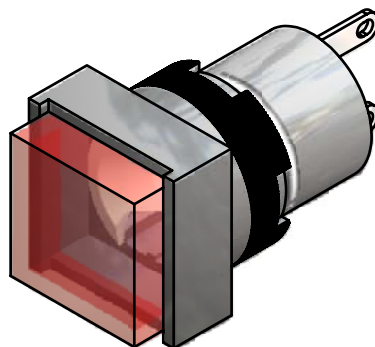
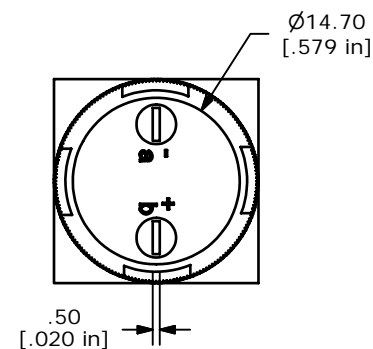
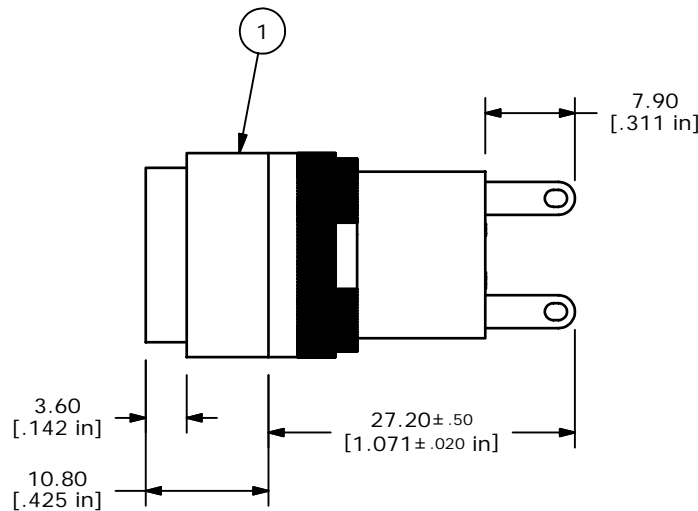
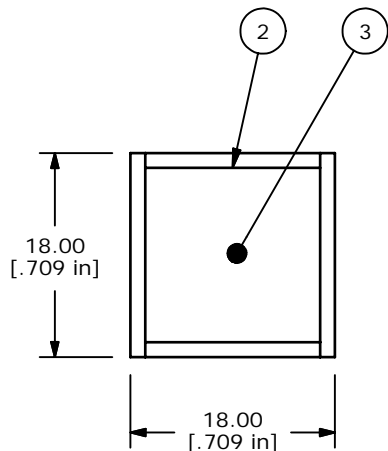
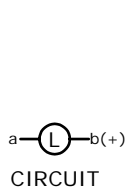


RECOMMENDED PANEL MOUNTING



ISOMETRIC

PARTS LIST			
ITEM	QTY	PART NUMBER	DESCRIPTION
1	1	F040002	L16PLS10
2	1	F050314	50-003-14 RED LENS
3	1	F050420	50-004-20 12V DC RED LED



NOTE:

1. ALL DIMENSIONS IN MM [INCH]
2. GENERAL TOLERANCE: X.X=±0.4
X.XX=±0.25
3. TERMINAL NUMBERS FOR REF ONLY
4. OPERATING TEMP: -25°C to +55°C
5. STORAGE TEMP: -40°C TO +85°C
- ▲ 6. LAMP VOLTAGE: 12V DC LED
7. ▲ DENOTES CRITICAL PARAMETER.
8. 2002/95/EC (ROHS) COMPLIANT
9. RATING: 250VAC @ 5A
24VDC @ 6A

E-SWITCH®

A	16727	RELEASED FOR PRODUCTION	12/5/06	TN
REV	PCR NO	DESCRIPTION	DATE	BY

TITLE L16PLS10JREDRED				
SCALE	DATE	DR	DWG	REV
2:1	12/5/2006	TN	XF0699P	A

THE INFORMATION CONTAINED IN THIS DOCUMENT IS PROPRIETARY TO E-SWITCH AND IS NOT TO BE COPIED OR TRANSFERRED